



Denali

Inverted Metallurgical Microscopes



1 Ergonomically inclined trinocular head with eyetubes at 45° places user in the best working position, creating less tension and fatigue. Interpupillary distance is adjustable from 54~75mm. Lever below eyepieces engages beam splitter 100:0 or 80:20. FPL-WF10x high eyepoint eyepieces, FN25.

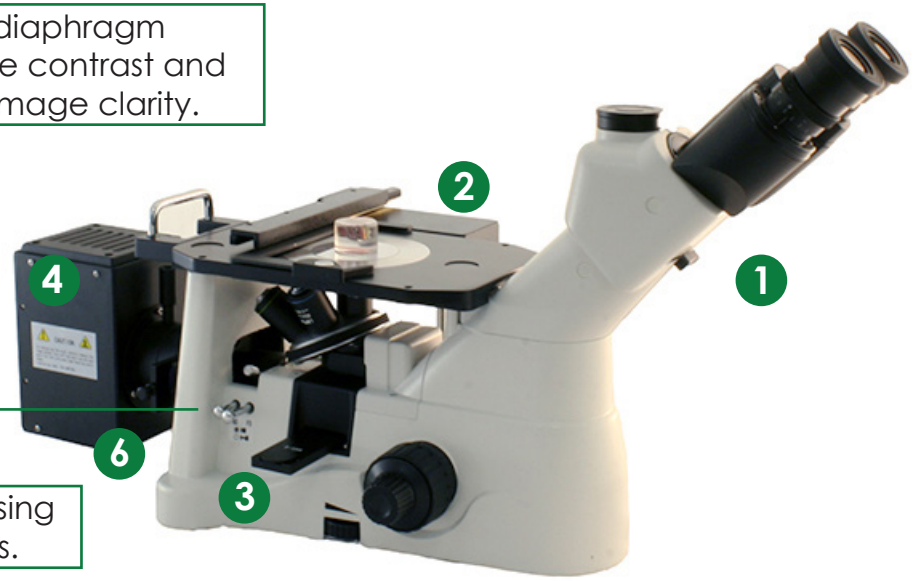
2 Fixed stage 175mm x 145mm. Mechanical stage provides 130mm (X) and 90mm (Y) movement with drop-down coaxial controls.



3 Simple polarization is obtained by inserting the polarizer into the light path and dialing in the turntable on the 360° rotatable analyzer.

4 12v 50w halogen Koehler reflected illumination system.

5 Field diaphragm and iris diaphragm are adjustable to increase contrast and obtain the best possible image clarity.



6 Filter slot in the lamp housing for a variety of color filters.

Microscope Options



LWD Plan Achromat MET Infinity Corrected Objectives

Part #	Objective	N.A.	W.D.
FMPLN5	5x	0.15	10.8mm
FMPLN10	10x	0.30	12.2mm
FMPLN20	20x	0.45	4mm
FMPLN50	50x	0.55	7.9mm



Semi APO BF MET Infinity Corrected Objectives



Part #	Objective	N.A.	W.D.
BF-SAPO-M5	5x	0.15	19.5mm
BF-SAPO-M10	10x	0.30	10.9mm
BF-SAPO-M20	20x	0.50	3.2mm
BF-SAPO-M50	50x	0.80	1.2mm
BF-SAPO-M100	100x	0.90	1.0mm

Widefield Plan Eyepieces

High eyepoint widefield plan eyepieces are available in two magnifications. FPL-WF 10x, FN22 with retaining ring to hold a 26mm diameter reticle. FPL-WF 15x, FN 16 with a retaining ring to hold a 25mm diameter reticle.



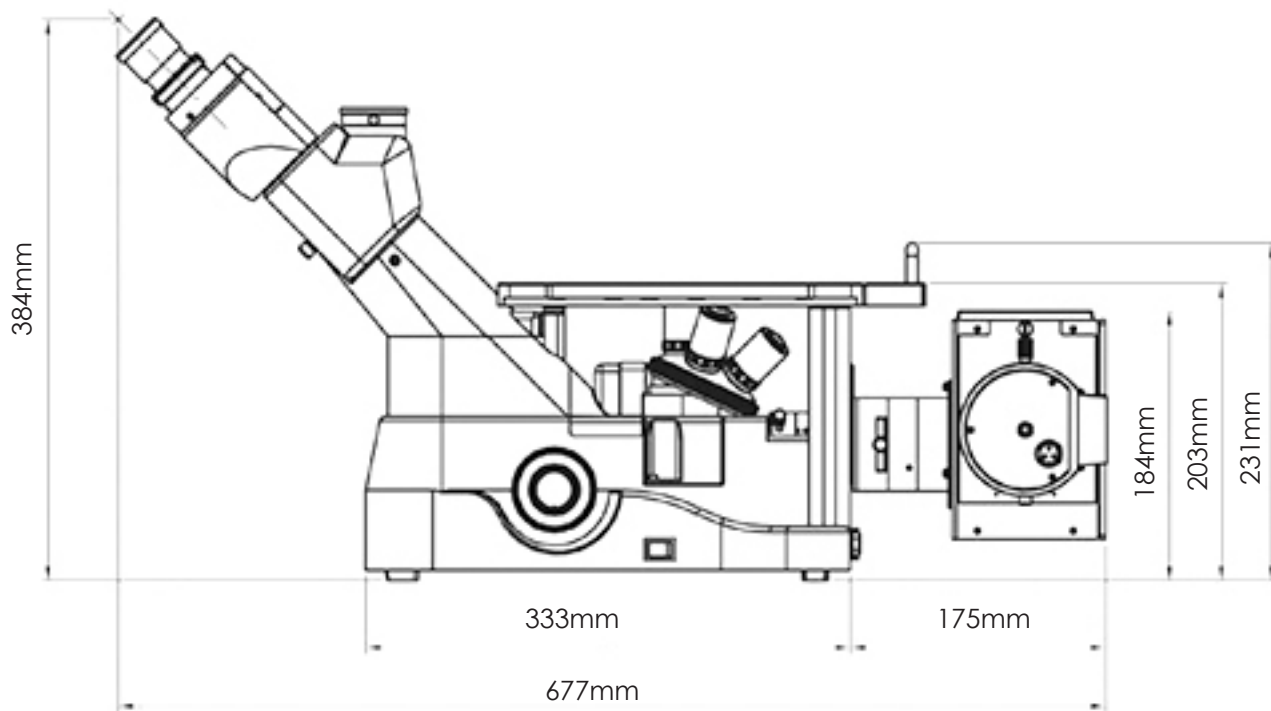
Optical System	Infinity Color Corrected Optical System.
Viewing Head	45° inclined gemel trinocular head, interpupillary distance adjustable 54~75mm. Beam splitter ratio = 100:0, 80:20.
Eyepieces	FPL-WF 10x widefield, high eyepoint plan eyepieces, FN22. Reticle retaining ring for 26mm diameter reticle.
	FPL-WF 15x widefield, high eyepoint plan eyepieces, FN16. Reticle retaining ring for 25mm diameter reticle.
Objective Lenses	Infinity Corrected LWD Plan Achromat Metallurgical 5x, 10x, 20x, 50x.
	Infinity Corrected Plan Semi Apochromat Metallurgical 5x, 10x, 20x, 50x, 100x.
Nosepiece	Reversed quintuple nosepiece.
Focus Adjustment	Low-position coaxial focusing system with tension adjustment, coarse focusing 38mm per rotation. Fine adjustment precision of 0.002mm.
Body	Automatic voltage sensing power supply 90v~240v, removable power cord.
Stage	Fixed stage 175mm x 145mm. Mechanical stage available with 130mm (X) x 90mm (Y) travel with two metal inserts. Drop-down right hand coaxial controls.
Illumination	Reflected Koehler illumination with adjustable aperture diaphragm and centerable field diaphragm. 12v, 50w halogen bulb with adjustable intensity.
Polarization	Polarizer can be shifted out of the light path. Analyzer rotates 360°.
C-Mount Adapters	Focusing 0.35x, focusing 0.5x, focusing 0.65x, 1x.
Filters	Blue filter and green filter.
Reticles	Variety of 26mm Ø reticles available including: grid, ruler, cross-line, etc. Metric or inches.



Focusing C-Mount Adapters

Part #	C-Mount	Camera Chip Size
DNL-CMT0.35x	0.35x	1/4" - 1/3"
DNL-CMT0.5x	0.5x	1/2" - 1/1.8"
DNL-CMT0.65x	0.65x	2/3"
DNL-CMT1x	1.0x	2/3" - 1"

Microscope Dimensions



www.viridianmicro.com
info@viridianmicro.com

