

Viridian

Palomar

Metallurgical Microscopes



Palomar Metallurgical Microscopes

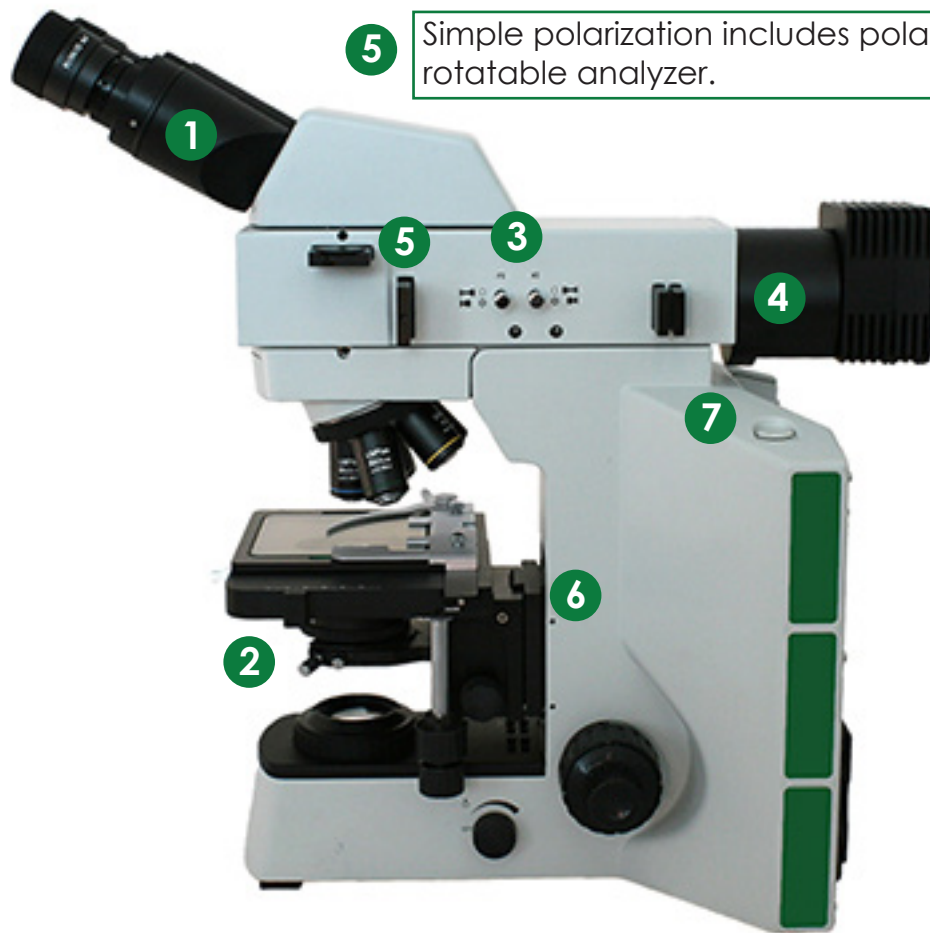
1 Ergonomically inclined head with eyetubes at 30° places user in the best working position, creating less tension and fatigue. Interpupillary distance is adjustable from 54~75mm.

2 Palomar-RT reflected and transmitted light microscope includes condenser with swing-out lens for maximized focused light and the ability to adjust numerical aperture to match objectives, resulting in higher image clarity and resolution.

3 Pull levers for adjusting field diaphragm and aperture diaphragm. Stray light can be eliminated, resulting in a higher clarity image.

4 5w LED warm white light (3000-3300K) reduces eye fatigue. Long lasting LED bulb.

5 Simple polarization includes polarizer and 360° rotatable analyzer.



6 Palomar-RT reflected and transmitted light microscope can accommodate a 28mm sample height. Palomar reflected light microscope can accommodate a 78mm high sample when dropping the stage 50mm by repositioning the screw in the stage holder.

7 M4 allen wrench for all microscope set screws stored in the microscope frame making it always available when needed.



LWD Plan Achromat MET Infinity Corrected

Part #	Objective	N.A.	W.D.
FMPLN5	5x	0.15	10.8mm
FMPLN10	10x	0.30	12.2mm
FMPLN20	20x	0.45	4mm
FMPLN50	50x	0.55	7.9mm



Semi APO BF MET Infinity Corrected Objectives



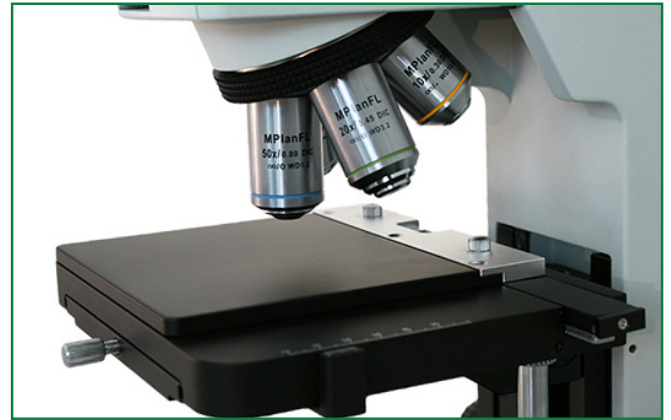
Part #	Objective	N.A.	W.D.
BF-SAPO-M5	5x	0.15	19.5mm
BF-SAPO-M10	10x	0.30	10.9mm
BF-SAPO-M20	20x	0.50	3.2mm
BF-SAPO-M50	50x	0.80	1.2mm
BF-SAPO-M100	100x	0.90	1.0mm

Focusing C-Mount Adapters

Part #	C-Mount	Camera Chip Size
PLMR-CMT0.35x	0.35x	1/4" - 1/3"
PLMR-CMT0.5x	0.5x	1/2" - 1/1.8"
PLMR-CMT0.65x	0.65x	2/3"
PLMR-CMT1x	1.0x	2/3" - 1"



Palomar Reflected Light Metallurgical Microscope



Both models available in binocular and trinocular.

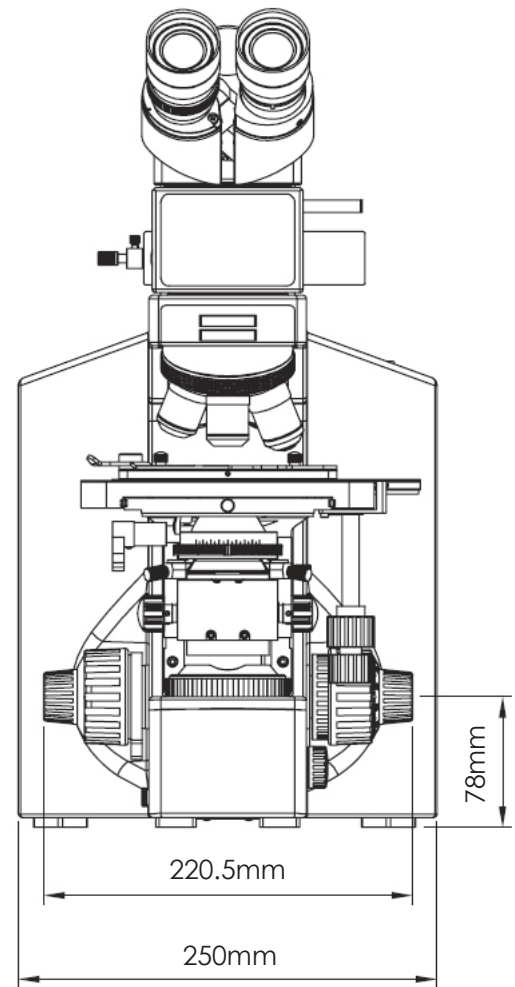
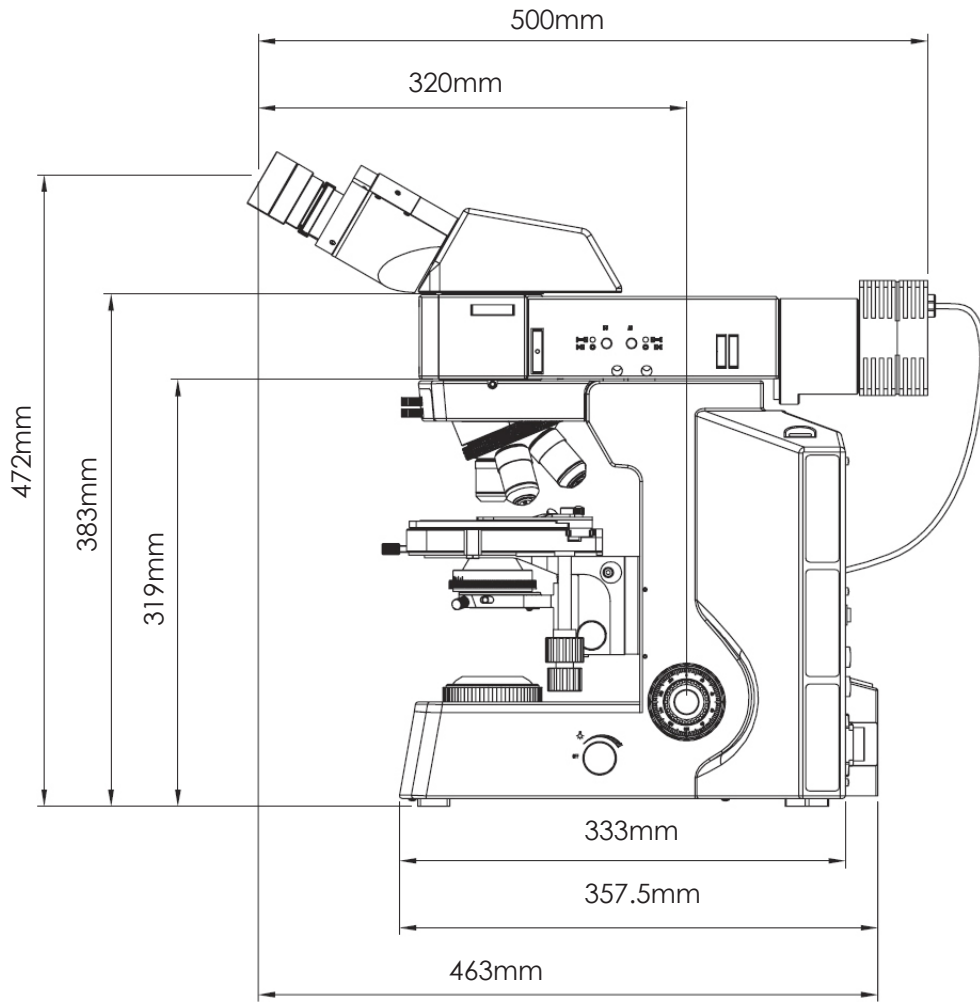
Palomar-RT: Reflected & Transmitted Light Metallurgical Microscope



Microscope Specifications



Optical System	Infinity Color Corrected Optical System
Viewing Head	30° inclined gemel binocular head, interpupillary distance adjustable 54~75mm, left diopter adjustable +/-5.
	30° inclined gemel trinocular head, interpupillary distance adjustable 54~75mm, left diopter adjustable +/-5, beam splitter ratio = 100:0, 50:50.
Eyepieces	High eyepoint WF PL10x / 22mm, with reticle retaining ring for 26mm diameter reticle.
	High eyepoint WF PL15x / 16mm, with reticle retaining ring for 24mm diameter reticle.
Objective Lenses	LWD Plan Achromat Metallurgical Infinity Corrected 5x, 10x, 20x, 50x.
	Semi APO Brightfield Metallurgical Infinity Corrected 5x, 10x, 20x, 50x, 100x.
Nosepiece	Reversed quintuple nosepiece.
Focus Adjustment	Palomar-RT (reflected & transmitted frame): coaxial focus system with tension adjustment and upper-limit device, coarse range of 28mm, fine precision of 0.002mm. Stage can be adjusted up and down. Maximum sample height = 28mm.
	Palomar (reflected frame): coaxial focus system with tension adjustment and upper-limit device, coarse range of 28mm, fine precision of 0.002mm. Stage can be adjusted up and down. Maximum sample height = 78mm.
Stage	Palomar-RT (reflected & transmitted frame): double layer mechanical stage with X-Y coaxial adjustment. Stage size = 175mm x 145mm. Moving range = 76mm x 42mm. Includes glass plate for transmitted light.
	Palomar (reflected frame): double layer mechanical stage with X-Y coaxial adjustment. Stage size = 175mm x 145mm. Moving range = 76mm x 42mm. Includes metal plate.
Reflected Illumination	Wide range voltage 100~240V. AC50/60Hz, reflected lamp house with single 5W LED, warm color. Koehler illuminator with oblique light device, center adjustable field and aperture diaphragm.
Transmitted Illumination	Wide range voltage 100~240V. AC50/60Hz, transmitted lamp house with single 5W LED, warm color. (Palomar-RT only).
Polarization	Rotatable 360° analyzer and polarizer sliders fit in slots on reflected illuminator arm.
Condenser	Palomar-RT (reflected & transmitted frame): NA 0.90 swing-out achromatic condenser with center adjustable aperture iris diaphragm.
C-Mount Adapters	Focusing 0.35x, focusing 0.5x, focusing 0.65x, 1x.
Filters	Reflected light empty filter sliders available.
	Transmitted light 44mm filters available: yellow, green, blue, green interference, neutral density ND2, didymium.
Reticles	Variety of 26mm Ø and 25mm Ø reticles available including: grid, ruler, cross-line, etc. Metric or inches.



www.viridianmicro.com
info@viridianmicro.com