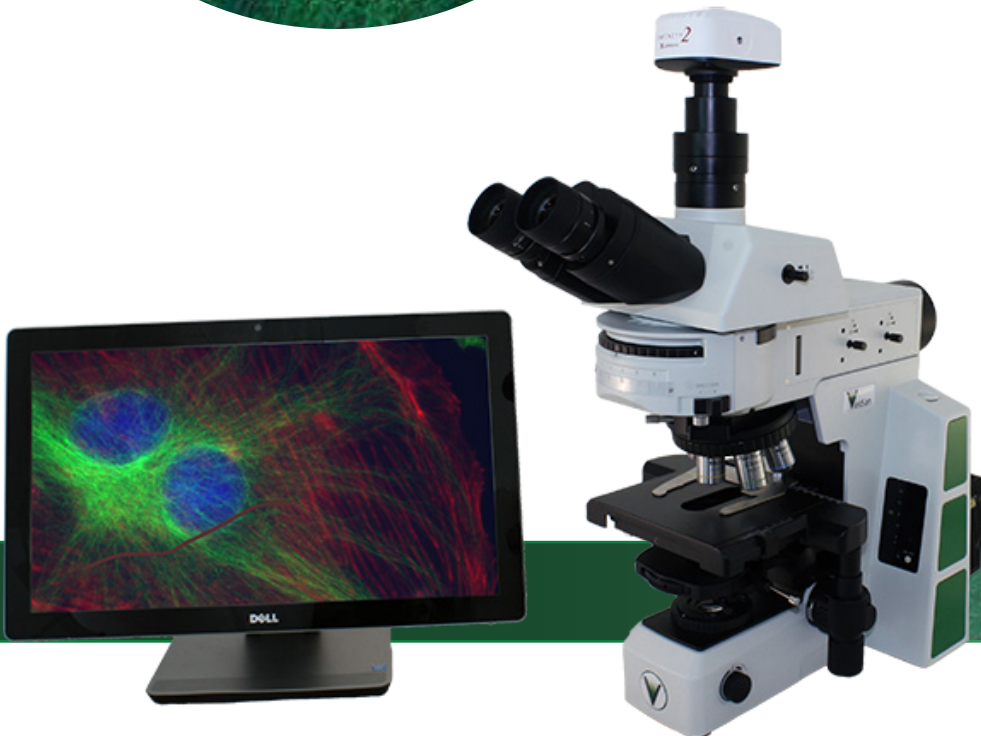
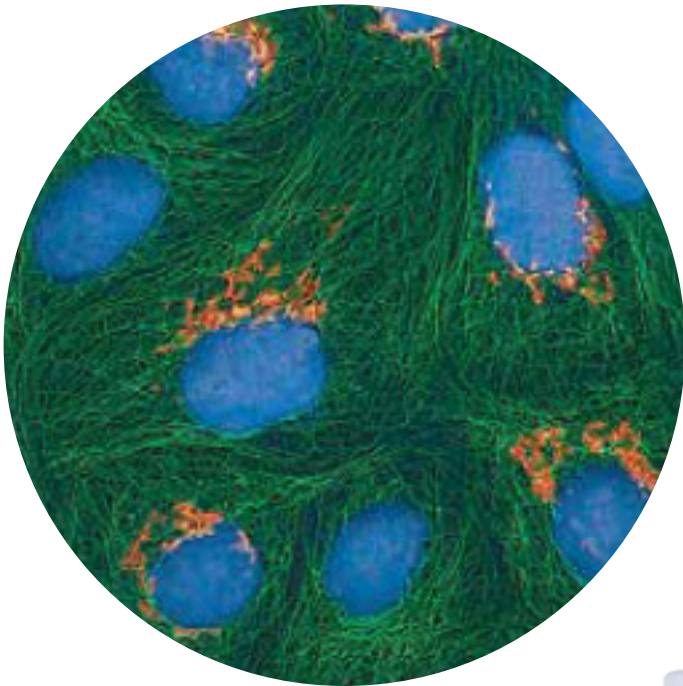
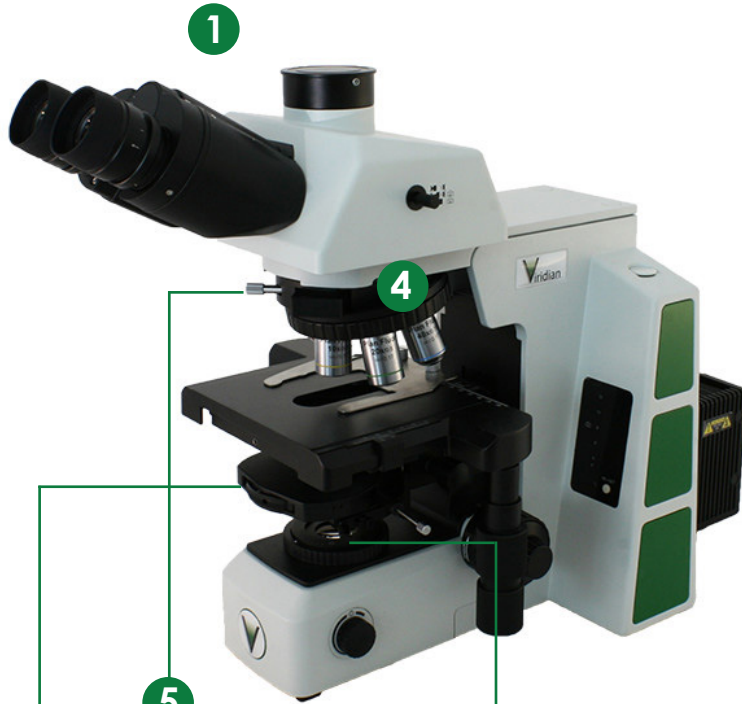


# Viridian

## Sequoia

BioImaging Research  
Microscope

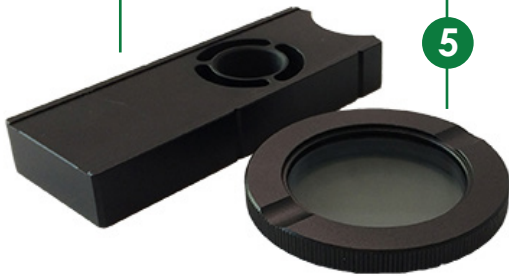




**1** Ergonomically inclined trinocular head with eyetubes at 30° places user in the best working position, creating less tension and fatigue. Interpupillary distance is adjustable from 48~75mm.

**2** Efficient ergonomic tilting and adjustable 5°-35° inclined trinocular head with interpupillary distance adjustable from 50~76mm.

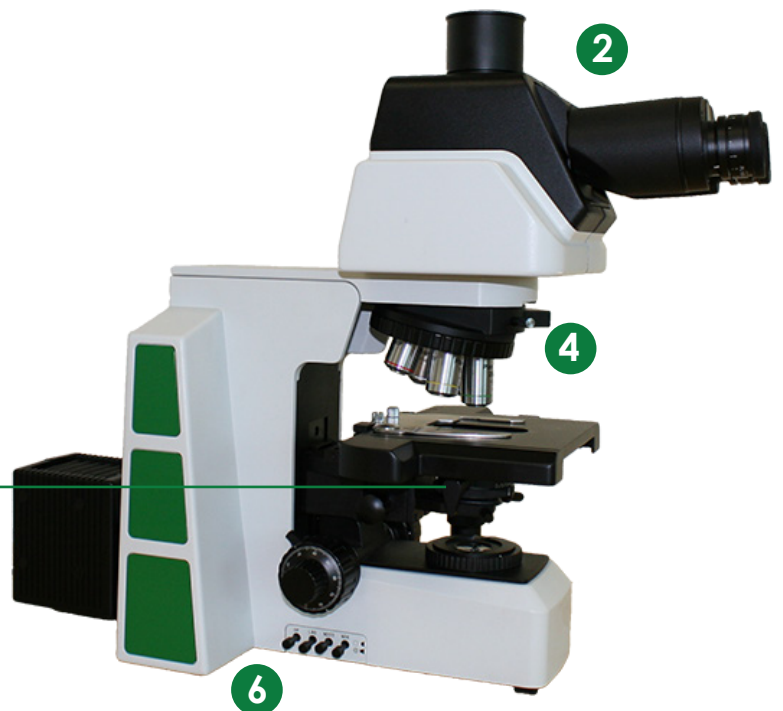
**3** 12v 100w halogen transmitted Koehler illumination system works with N.A. 0.9 condenser with iris diaphragm, aperture scale and swing-out top lens for 2x-100x observation. Voltage 100~240V.



**4** Sextuple nosepiece with slot for analyzer.

**5** Polarization includes analyzer that fits into slot in nosepiece, rotatable polarizer fits over light.

**6** Built-in filters include ND6, ND25, LBD and an empty filter slot.



# Objective Lenses



## Plan Achromat Infinity Corrected Objectives



Part #	Objective	N.A.	W.D.
FPLN2	2x	0.06	5mm
FPLN4	4x	0.10	11.9mm
FPLN10	10x	0.25	12.1mm
FPLN20	20x	0.40	1.5mm
FPLN40	40x	0.65	0.36mm
FPLN50	50x oil	0.95	0.19mm
FPLN60	60x	0.85	0.30mm
FPLN100	100x oil	1.25	0.18mm

## Plan Semi Apochromat Fluor Infinity Corrected Objectives

Part #	Objective	N.A.	W.D.
SAPOFL4	4x	0.13	18.5mm
SAPOFL10	10x	0.30	10.6mm
SAPOFL20	20x	0.50	2.33mm
SAPOFL40	40x	0.75	0.6mm
SAPOFL100	100x oil	1.28	0.21mm



## Plan Phase Contrast Infinity Corrected Objectives

Phase contrast turret condenser is available with BF, PH1, PH2, PH3, PH4 or BF, DF, PH1, PH2, PH3. Full phase contrast includes phase centering telescope, plan phase contrast infinity corrected objective lenses and green interference filter.



Part #	Objective	N.A.	W.D.
FPL-PH10	10x	0.25	12.1mm
FPL-PH20	20x	0.40	1.5mm
FPL-PH40	40x	0.65	0.36mm
FPL-PH100	100x oil	1.25	0.18mm



Double layer mechanical stage, 187 x 168mm. Dual slide holder can hold one or two slides for testing and comparative analysis. Right hand ergonomic controls for X-Y axis travel of 80 x 55mm with precision of 0.1mm. Stage is made of oxidized metal with a special anti-corrosive protective coating providing durability and ease of cleaning.

## Multi-Observation System

Dual observer teaching microscopes are available with two, three, four or five viewing heads. Main microscope frame holds multi-colored LED pointer system for indicating specific points of interest on a sample while students view through their own observation eyepieces.



# Microscope Features



## Research Fluorescence Microscopy



Fluorescence illumination attachment with six position filter turret. Illuminator options include metal halide illuminator with liquid light guide and collimating adapters or LED illuminator. Filter sets can be customized to meet requirements. A variety of digital imaging systems and software are available to capture and analyze microscopy images.



## Trinocular Head

30° inclined trinocular head, 360° rotatable with interpupillary distance adjustable from 48-75mm. Beam splitter ratio of 100:0, 20:80, 0:100.



## Ergonomic Trinocular Head



Efficient ergonomic tilting and adjustable 5°-35° inclined trinocular head, 360° rotatable with interpupillary distance adjustable from 50-76mm. Beam splitter ratio of 100:0, 20:80, and 0:100.

## Focusing C-Mount Adapters

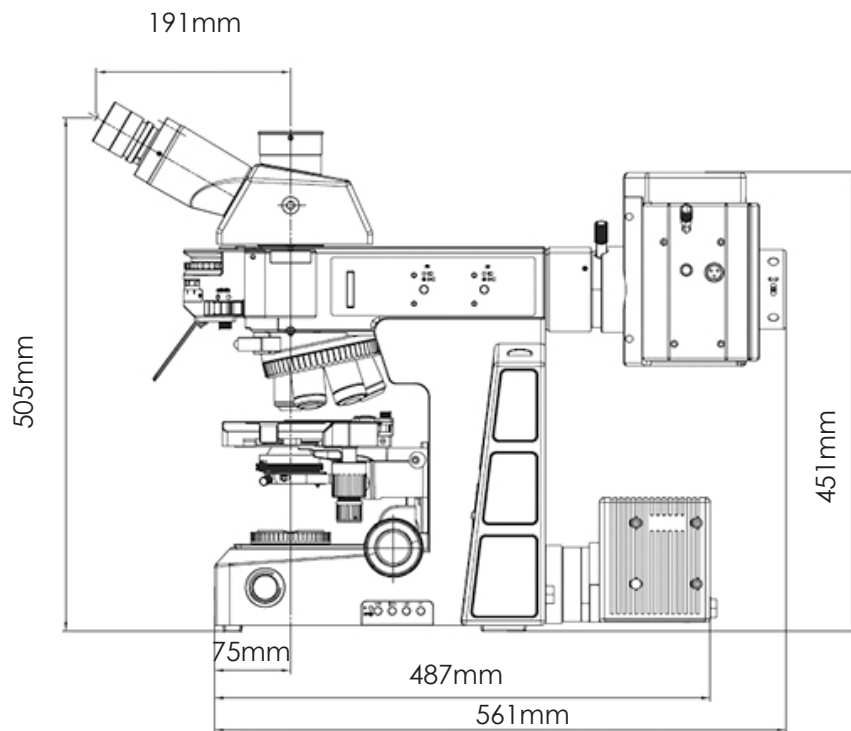
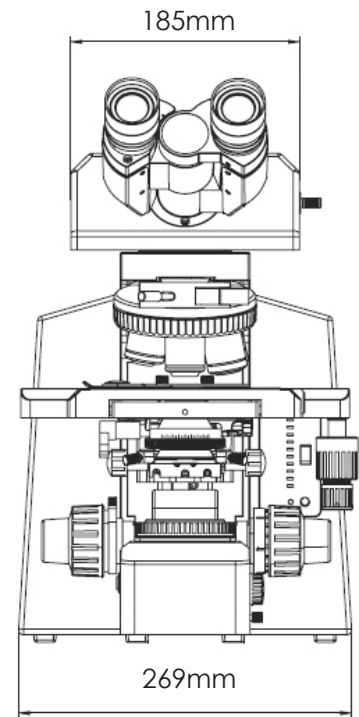
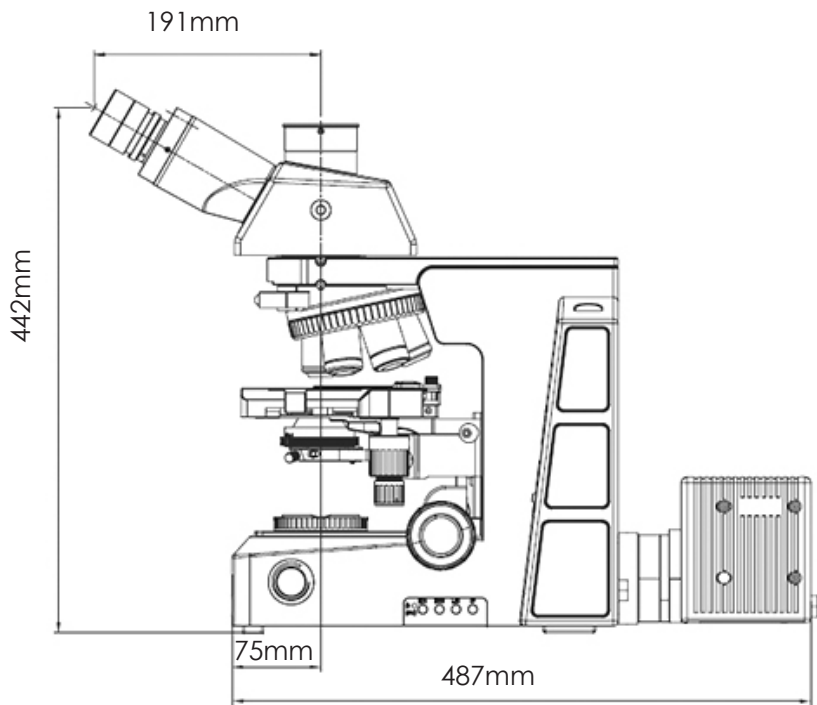


Part #	C-Mount	Camera Chip Size
SQ-CMT0.5x	0.5x	1/4" - 1/1.8"
SQ-CMT0.65x	0.65x	2/3"
SQ-CMT1x	1.0x	2/3" - 1"

# Microscope Specifications



Optical System	Infinity Color Corrected Optical System
Viewing Head	30° gemel binocular head. Head rotates 360°. Interpupillary distance adjustable 48~75mm. Beam splitter ratio = 100:0, 0:100.
	Ergonomic tilting trinocular head 5°-35°. Head rotates 360°. Interpupillary distance adjustable 50~76mm. Beam splitter ratio = 100:0, 20:80, 0:100.
Eyepieces	FPL-WF 10x widefield, high eyepoint plan eyepieces, FN22. Reticle retaining ring for 26mm diameter reticle.
	FPL-WF 10x widefield, high eyepoint focusing plan eyepieces, FN25. Reticle retaining ring for 26mm diameter reticle.
Objective Lenses	Infinity Corrected Plan Achromat 2x, 4x, 10x, 20x, 40x, 50x oil, 60x, 100x oil.
	Infinity Corrected Plan Semi Apochromat Fluor 4x, 10x, 20x, 40x, 100x oil.
	Infinity Corrected Plan Phase 10x, 20x, 40x, 100x oil.
Nosepiece	Reversed sextuple nosepiece.
Focus Adjustment	Low-position coaxial focusing system, coarse focusing adjustment 25mm with tension adjustment and stop. Fine adjustment precision of 0.001mm.
Body	Frame has intensity readout and is adjustable by digital set and reset. Built-in transmitted light filters LBD, ND6, ND25 and empty filter slot.
Stage	187 x 168mm double layer mechanical stage with low-position controls. Movement range of 80 x 55mm, precision 0.1mm. Special anti-corrosive and anti-friction coating on stage. Two-way linear drive and tension adjustable.
Condenser	N.A. 0.9 Achromat condenser with iris diaphragm, aperture scale and swing-out top lens for 2x - 100x coverage.
	Phase contrast turret condenser with stops for BF, PH1, PH2, PH3, PH4.
	Phase contrast turret condenser with stops for BF, DF, PH1, PH2, PH3.
Illumination	12v, 100w halogen Koehler illuminator with rheostat control, 100V~240V.
Phase Contrast	Phase centering telescope, green interference filter, phase objectives & condenser.
Polarization	Fixed analyzer and rotatable polarizer.
Fluorescence	Fluorescence illumination with 6-position filter turret. Metal halide illuminator with liquid light guide and collimating adapters or LED illuminator. Variety of filter sets available. Reflected illumination arm has filter slots for polarization and fluorescence filters. Fluorescence illuminator has adjustable iris field diaphragm and aperture diaphragm.
Dual Observer	Dual observer teaching head options with 2, 3, 4, or 5 heads. Includes optical bridge with LED pointer for teaching.
C-Mount Adapters	Focusing 0.5x, focusing 0.65x, 1x.
Filters	Built-in LDB, ND6 and ND25 filters. Empty filter slot.
Reticles	Variety of 26mm Ø reticles available including: grid, ruler, cross-line, etc. Metric or inches.



[www.viridianmicro.com](http://www.viridianmicro.com)  
[info@viridianmicro.com](mailto:info@viridianmicro.com)